

Life Path 1



SPECIFICATIONS:

Housing:

Die-cast aluminum door & housing. Suitable for J-Box mounting or conduit entry.

Lens:

Polycarbonate lens.

Reflector:

Specular aluminum reflector.

Rechargeable Battery:

6V 5Ah Nickel Cadmium Rechargeable battery. 90 minute illumination, then recharge in 24 hours. Limited 5 year warranty.

Finish:

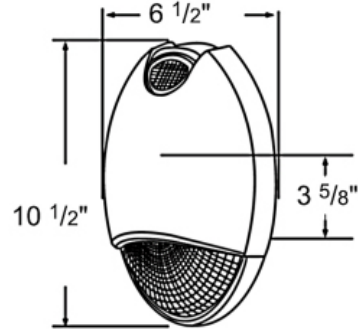
Attractive dark bronze, white, polyester powder coated finish for excellent impact, corrosion and UV resistance

Emergency Lighting Unit

Job Information

Project:	Date:
Location:	
Fixture Type:	Cat. #
Lamp:	Volts:
Options & Accessories:	

DIMENSIONAL DRAWINGS



Tall	Width	Depth	MH	Xenon	EPA	Weight
10.50"	6.50"	5.50"	—	2 x 6w	—	8 lbs.

ORDERING INFORMATION:

Model	Optics	Wattage	Source	Voltage	Mounting	Finish	Options
<ul style="list-style-type: none"> LPH 1 	Flood Wide <ul style="list-style-type: none"> (FW) 	6 watts <ul style="list-style-type: none"> (2x6) 	Xenon <ul style="list-style-type: none"> (X) 	120/277 Electronic Dual Volts <ul style="list-style-type: none"> (DV) 	Wall Mount <ul style="list-style-type: none"> (WM) 	Bronze <ul style="list-style-type: none"> (BZ) White <ul style="list-style-type: none"> (WT) Custom Color <ul style="list-style-type: none"> (CC) Custom Color Consult Facoty 	No options

Direct Lighting Sales reserves the right to make modifications or changes to any of its products without prior written notification and without incurring obligation. Actual performance can vary depending on surrounding conditions