

Duraguard



SPECIFICATIONS:

Housing:

Corrosion resistant, cast A356 aluminum alloy, .188" min. wall thickness and heavy gauge spun aluminum top.

Optics:

Injection molded clear U.V. stabilized prismatic polycarbonate lens with ANSI-IES type III & V distribution

Electrical Assembly:

HID Ballast constant Wattage Auto-Transformer High Power Factor Core and coil Type, Rated -20 Degrees Fahrenheit Staring Temperature. Integrally Mounted in the Luminaire and Completely Prewired. Each Ballast Assembly Is Thoroughly Tested Prior To Shipment. Ballast and Electrical Components Are "UL" Listed.

Lamp Socket:

Porcelain Socket pulse rated for HPS, MH & PS lamps. Lamp included.

Finish:

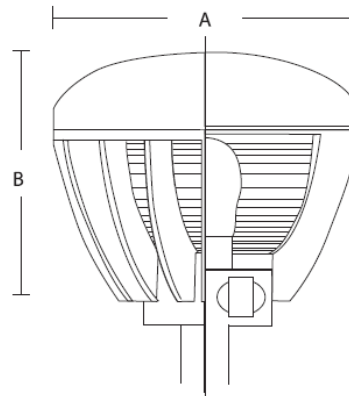
Chemically pretreated through a multiple stage washer, thermoset polyester textured Powder Coat. Oven baked at 400 degrees Fahrenheit to insure maximum adherence.

Vandal Proof with Vertical lamp

Job Information

Project:	Date:
Location:	
Fixture Type:	Cat. #
Lamp:	Volts:
Options & Accessories:	

DIMENSIONAL DRAWINGS



Model #	A	B	Max. Watt	EPA
DGD-1	13.50"	14"	150	1.2
DGD-2	20.50"	18"	250	2.1

ORDERING INFORMATION:

Model	Optics	Wattage	Source	Voltage	Mounting	Finish	Options
<ul style="list-style-type: none"> DGD-1 DGD-2 	Type III • (T3) Type V • (T5)	50w • (50) 70w • (70) 100w • (100) 150w • (150) 175w • (175) 250w • (250)	HPS • (HPS) Metal Halide • (MH) Pulse Start Metal Halide • (PS) Compact Fluorescent • (CFL) Consult Factory	120 Volts • (120) 208 Volts • (208) 240 Volts • (240) 277 Volts • (277) 480 Volts • (480) Multi-Tap Ballast Factory wired at 277 volts unless otherwise specified.	Tenon Mount • (TM) (Fit over 2 3/8" O.D.)	Bronze • (BZ) White • (WT) Black • (BK) Custom Color • (CC) Other colors available consult factory	Photo Cell 120 - 277v • (PC __)

Direct Lighting reserves the right to make modifications or changes to any of its products without prior written notification and without incurring obligation. Actual performance can vary depending on surrounding conditions